



## Toggle Anchor

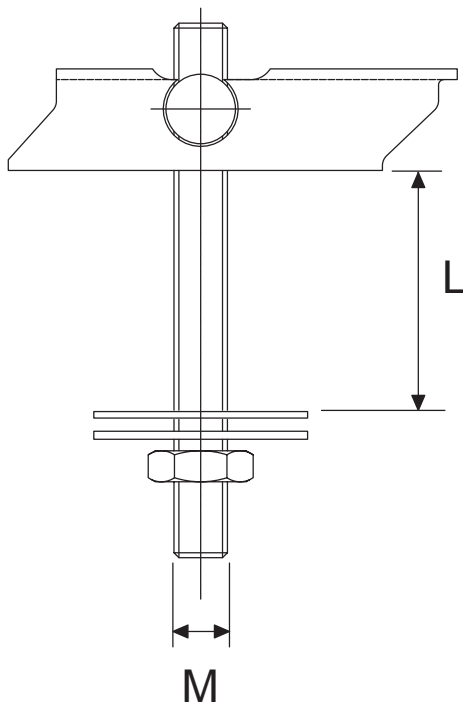
### MTVB

#### Technical Features

- **Sizes:** Heavy Duty M8\* and M10\*\*
- **Material:** Carbon steel
- **Finish:** Electro Zinc Plated
- **Specification:** With counter nut, large washer and rubber washer.

\* VdS Approved

\*\* VdS/FM Approved



#### Toggle Anchor - MTVB

#### Physical Data

Reference	Approvals	Screw Size (M)	Length (L) (mm)	Drill bit size (mm)	Box Qty.	Weight (x1) (kg / lbs)
584455	VdS	M8	100	22	25	0.161 / 0.354
584456	VdS	M8	200	22	25	0.180 / 0.396
584457	VdS	M8	300	22	25	0.210 / 0.462
584458	VdS	M8	500	22	25	0.230 / 0.506
584465	VdS / FM	M10	100	25	25	0.165 / 0.360
584466	VdS / FM	M10	200	25	25	0.180 / 0.396